

4

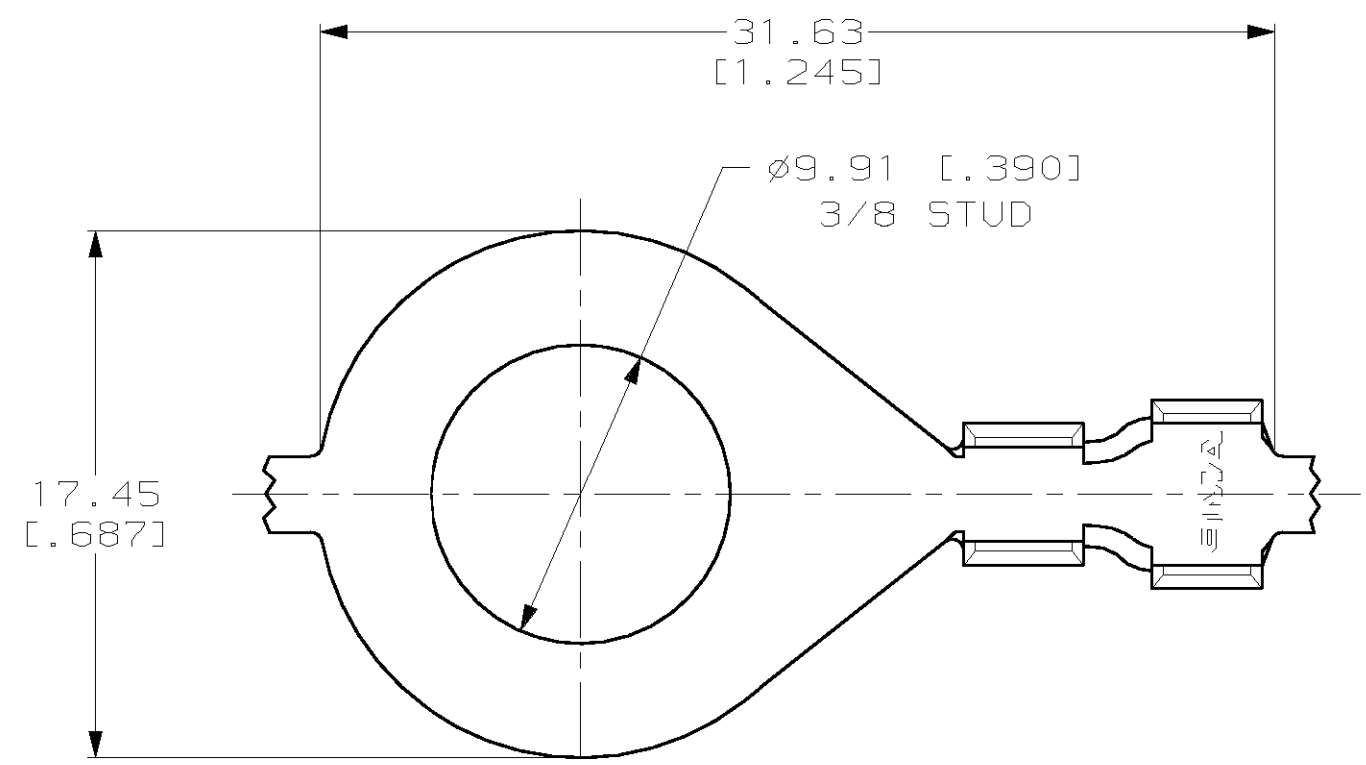
3

2

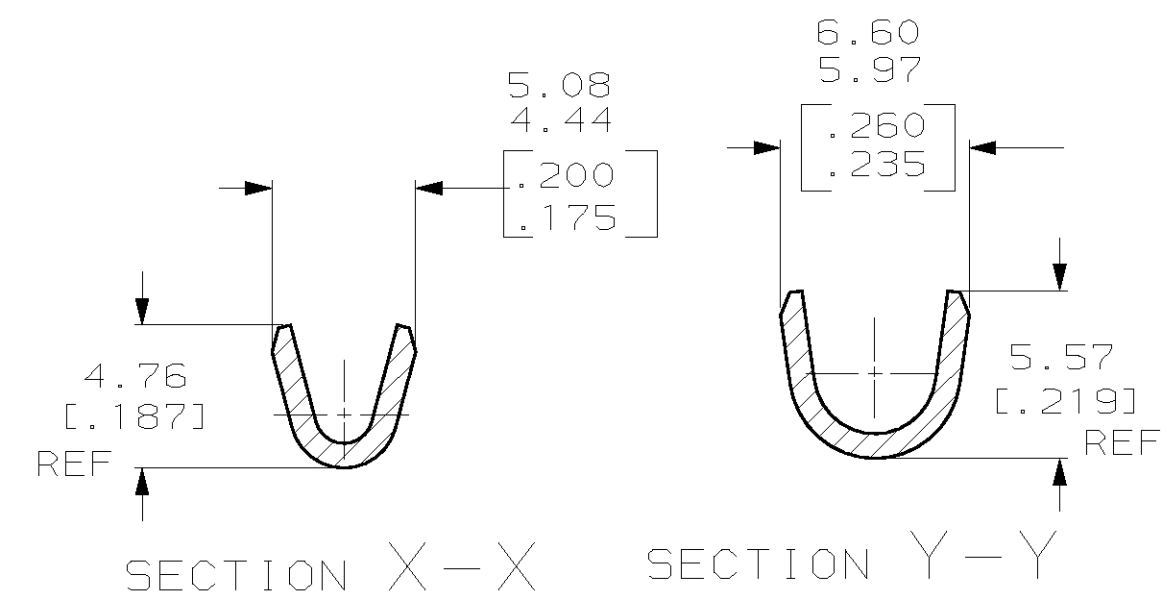
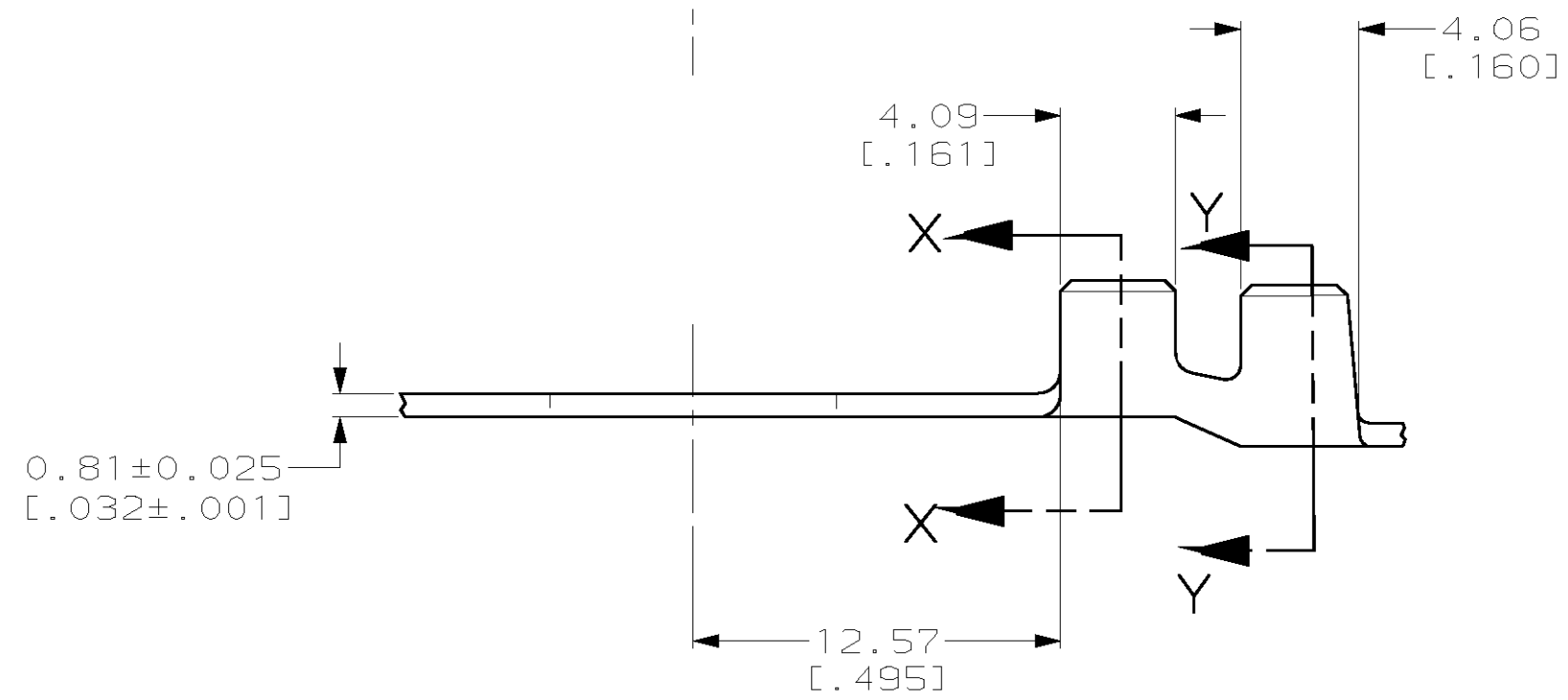
1

THIS DRAWING IS UNPUBLISHED. RELEASED FOR PUBLICATION .19 .  
 © COPYRIGHT 19 BY AMP INCORPORATED. ALL RIGHTS RESERVED.

LOC	DIST	REVISIONS			
P	LTR	DESCRIPTION	DATE	DWN	APVD
AF	50	A	REL PER 063A-0118-00	02MAR00	JR DD



- 1 CONTINUOUS STRIP ON REELS.
- 2 WIRE SIZE IS [#16-#14] AWG.
- 3 INSULATION RANGE IS 3.05-4.57 [.120-.180] DIA.
- △ 4 PREPRODUCTION - FASR REQUIRED



△ 1217330-1  
PART NO.

THIS DRAWING IS A CONTROLLED DOCUMENT.		DWN JR RUTH 09FEB00	<b>AMP</b> AMP Incorporated Harrisburg, PA 17105-3608
		CHK MS FEHER 09FEB00	
DIMENSIONS: MM [INCHES]		APVD D DECKER 09FEB00	NAME
TOLERANCES UNLESS OTHERWISE SPECIFIED: 0 PLC ±- 1 PLC ±- 2 PLC ±0.25 [.010] 3 PLC ±- 4 PLC ±- ANGLES ±-		PRODUCT SPEC -	RING TONGUE
MATERIAL 082 BRASS		APPLICATION SPEC -	
FINISH .002032 [.000080] MIN TIN		WEIGHT -	SIZE CAGE CODE DRAWING NO RESTRICTED TO A3 00779 C- 1217330 -
CUSTOMER DRAWING		SCALE 4:1	SHEET 1 OF 1 REV A